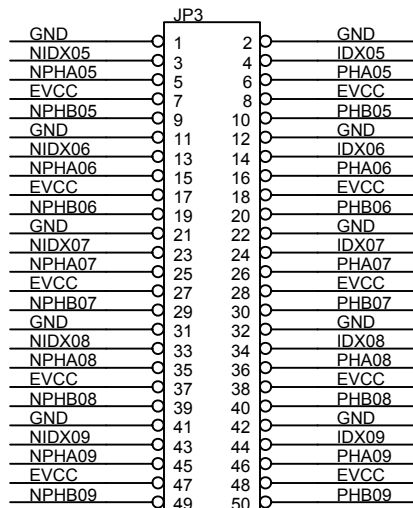
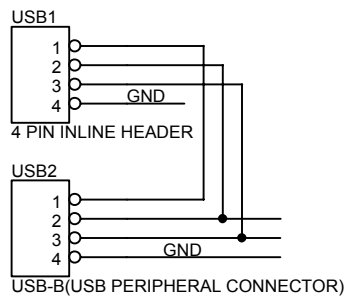
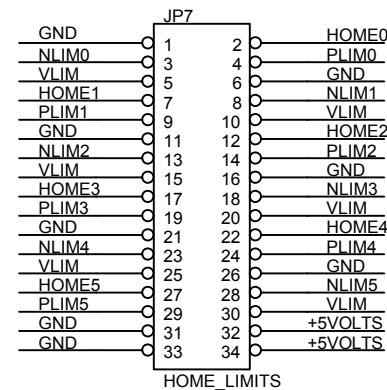
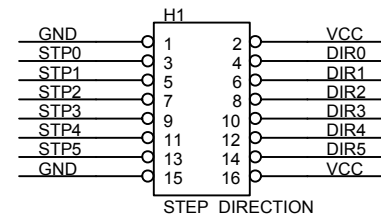
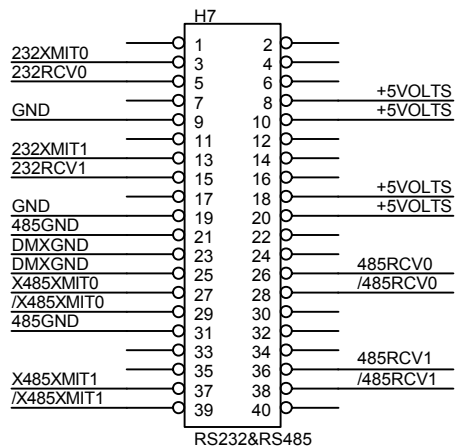
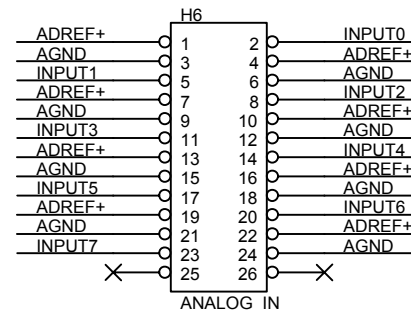
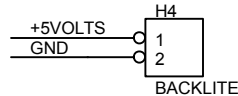
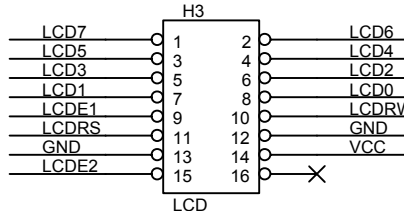
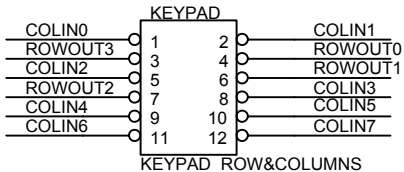
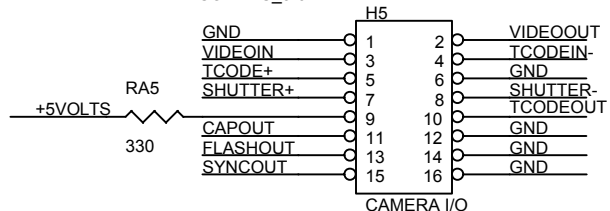


ENCODERS_0-4



ENCODERS_5-9



Title		
KUPERDAT I/O CONNECTORS		
Size	Document Number	Rev
A		A
Date:	Wednesday, November 20, 2002	Sheet 1 of 1