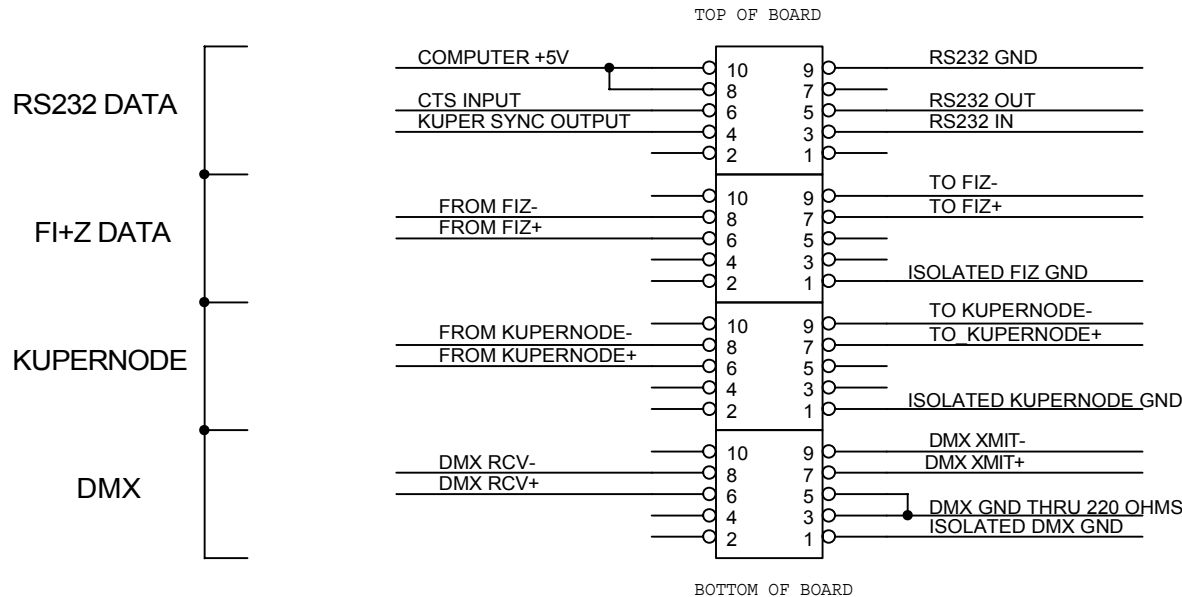


THIS STACK OF FOUR, 10 PIN HEADERS REPRESENTS THE 40 PIN SERIAL CONNECTOR ON THE KUPER2001-I CARD. THIS IS THE ONLY VERTICAL HEADER ON THE CARD. NOTE THAT ALL PIN 1's ARE TOWARDS THE BOTTOM OF THE CARD.

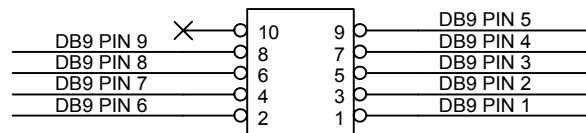


THE 40 PIN SERIAL CONNECTOR CAN BE BROUGHT OUT TO DB9 CONNECTORS VIA A 40 PIN RIBBON CABLE BY SPLITTING THE CABLE INTO FOUR, 10 PIN SECTIONS, AND THEN REMOVING THE TENTH STRAND OF EACH. NORMALLY A MALE DB9 IS USED FOR THE RS232 CHANNEL, AND FEMALE DB9'S FOR ALL THE OTHER CHANNELS.

IMPORTANT...THE DMX GND IS ISOLATED FROM ALL OTHER GROUNDS. DO NOT MAKE ANY CONNECTION BETWEEN DMX GROUND AND ANY OTHER GROUND. THE DMX GROUND CONNECTION SHOULD BE CARRIED AS A WIRE INSIDE THE SHIELDED DMX CABLE. DO NOT CONNECT THE DMX GROUND TO THE CABLE SHIELD.

THE KUPERNODE AND FIZ GROUNDS ARE SHARED, BUT ISOLATED FROM ALL OTHER GROUNDS.

THE RS232 GROUND SHARES THE COMPUTER GROUND.



THIS DRAWING SHOWS HOW THE HEADER PINOUTS RELATE TO DB9 PINOUTS WHEN THE 40 PIN HEADER IS SPLIT AND BROUGHT OUT TO CRIMP-ON DB9 CONNECTORS.

Title		
KUPER2001-I SERIAL CONNECTOR		
Size	Document Number	Rev
A	{Doc}	1
Date:	Monday, February 02, 2004	Sheet 1 of 1